

Model Explanation

LCT-xx x LN/SLN/W

Round shape counterflow cooling tower

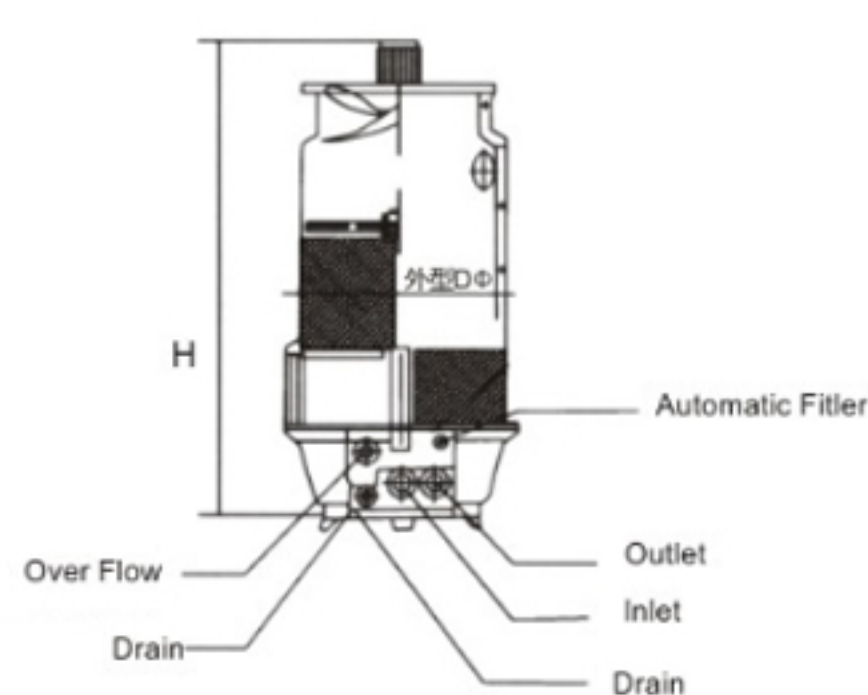
Circulating water flow

Low noise type

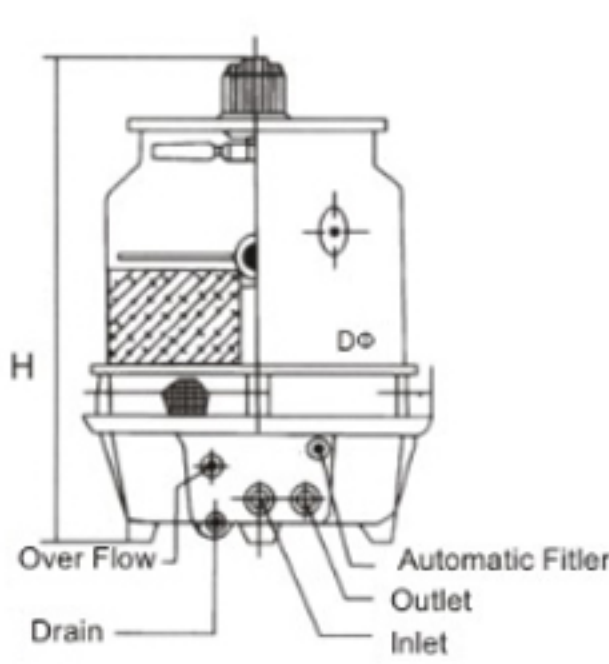
Super low noise type

High temperature type

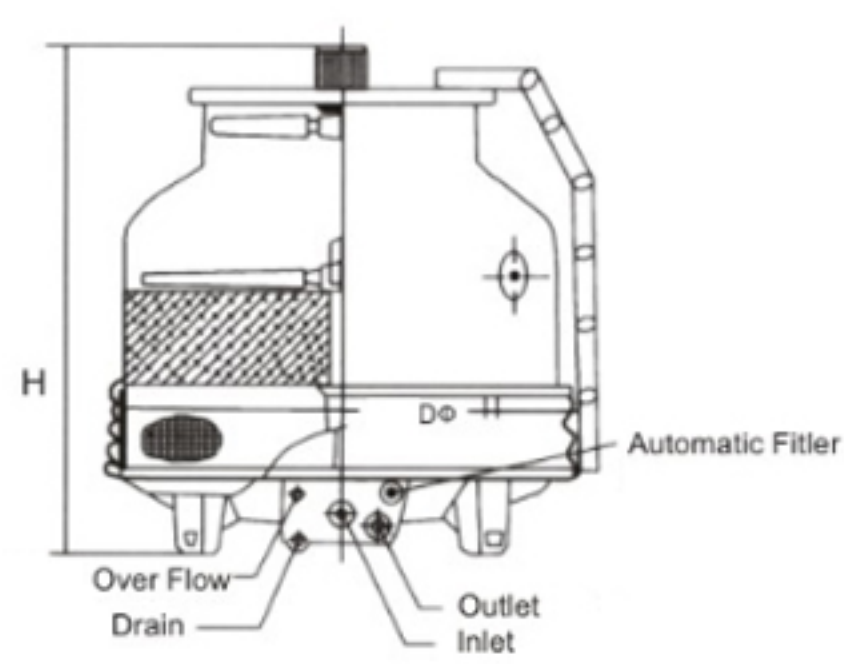
Performance Parameter Table of LCT-LN Series Low Noise type



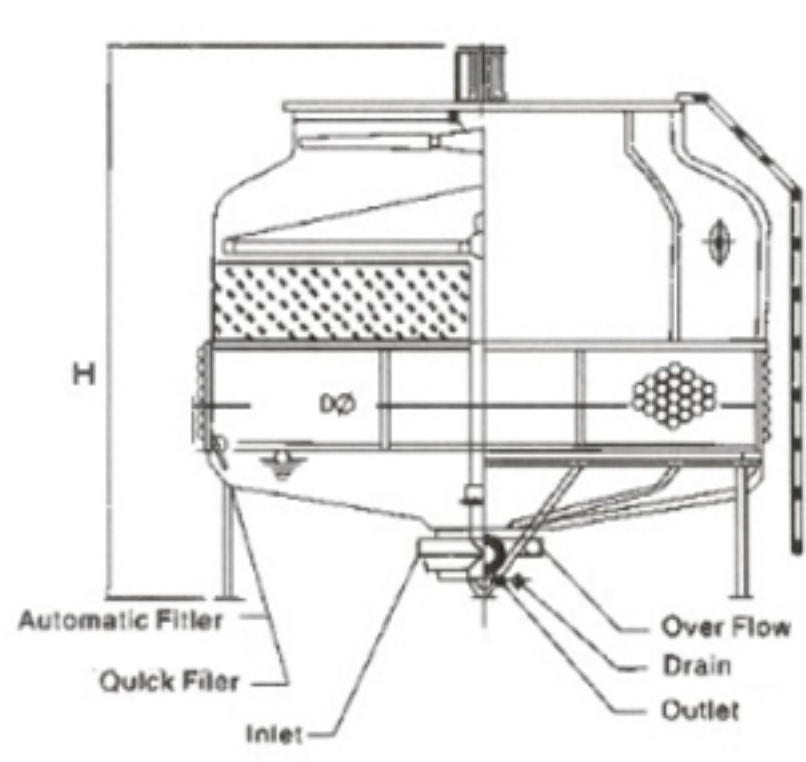
LCT-LN-10-20



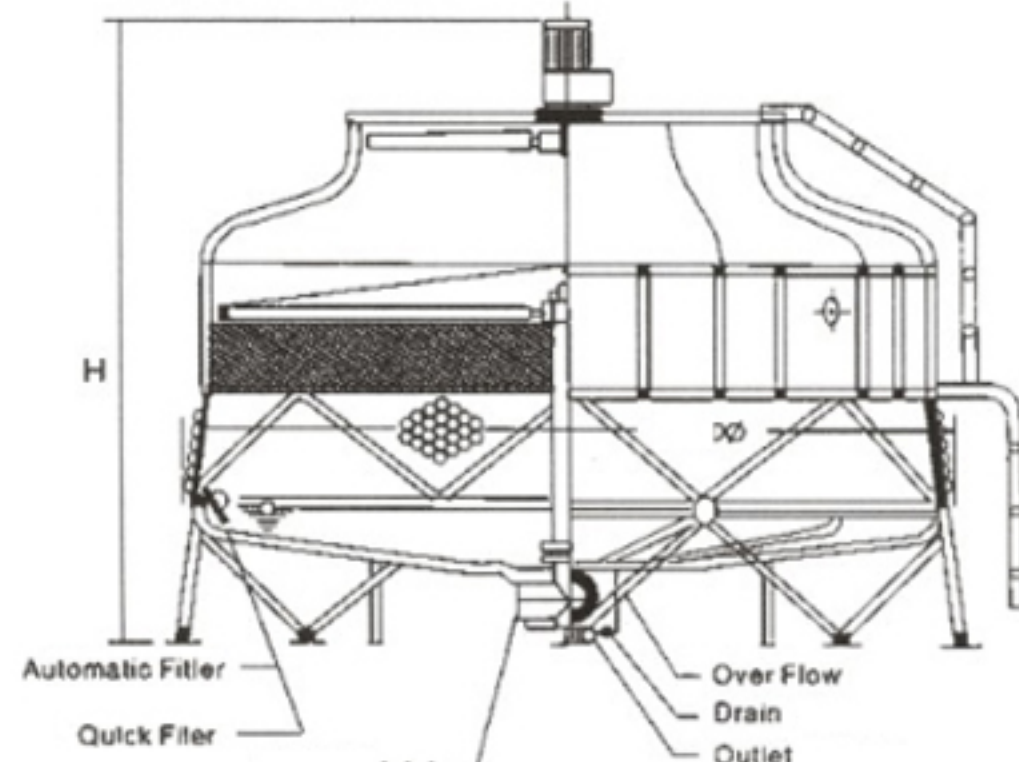
LCT-LN-25-40



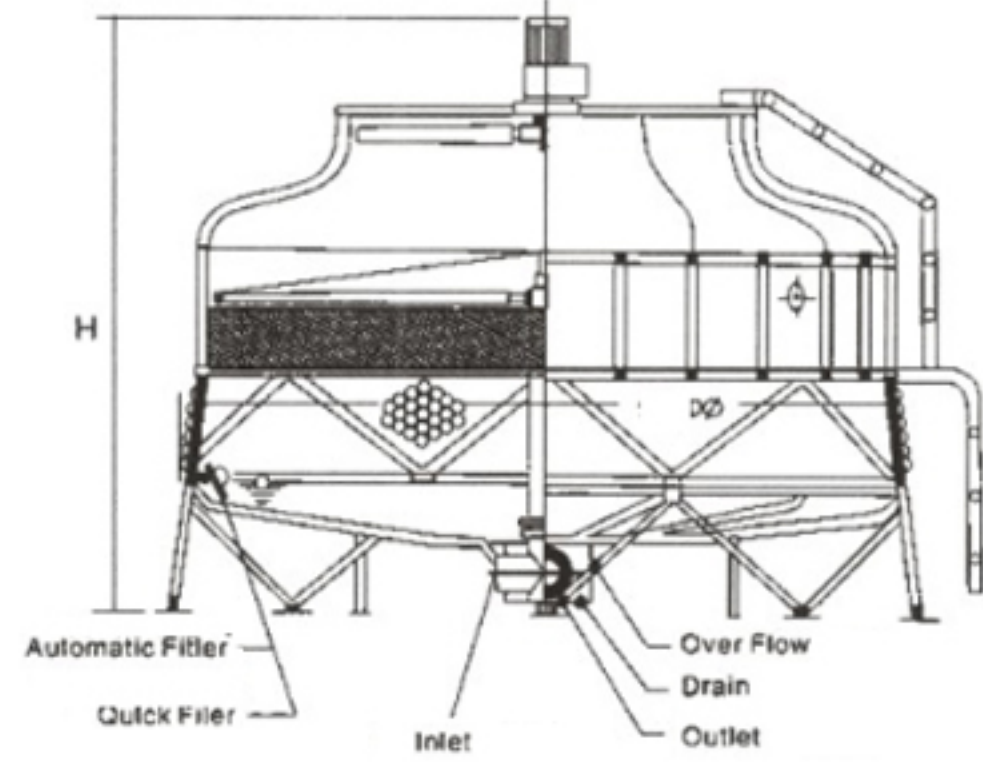
LCT-LN-50-200



LCT-LN-250



LCT-LN-300-400



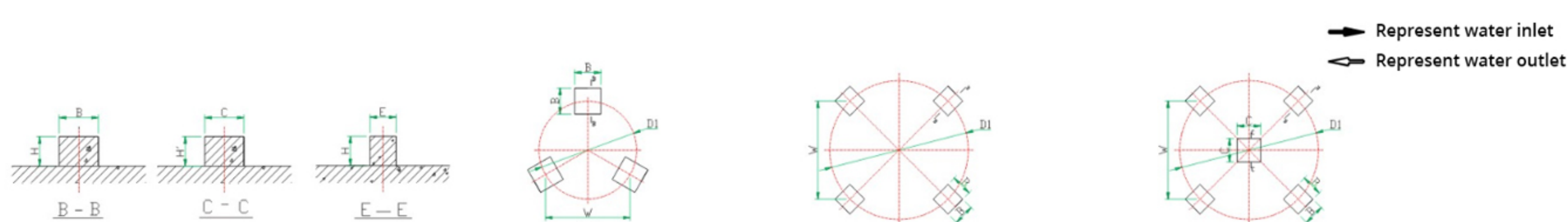
LCT-LN-500-1000

Design condition

- ◆ Inlet water temperature: T1=37°C
- ◆ Outlet water temperature: T2=32°C
- ◆ Wet bulb temperature: TWB=27°C

- ◆ Dry bulb temperature: T=31.8°C
- ◆ Atmospheric pressure: P=9.94×10⁴ Pa

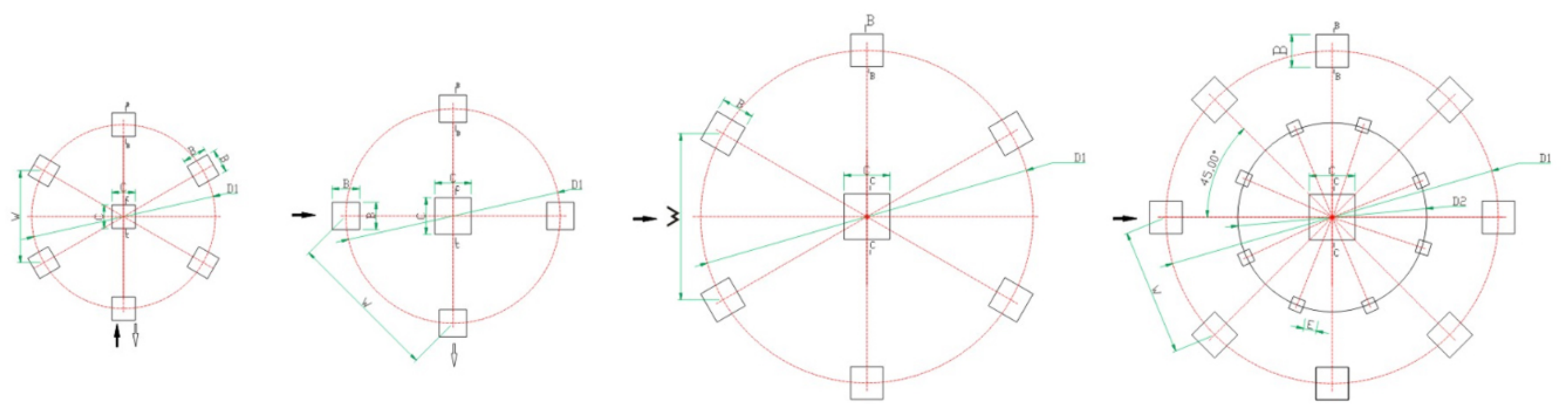
Model	Flow Rate (m ³ /h)		Overall Dimension		Fan Assembly		Piping Size					Noise (dB)
	WB28°C	WB27°C	Height H	Outer Diameter D	Motor(H)	Fan	Warm Water Inlet	Cold Water Outlet	Drain Pipe DR	Overflow Pipe OF	Feed Pipe FV	
	TWB28°C	TWB27°C										
LCT-10LN	7.2	8.5	1740	1060	1/4	670	40	40	25	25	15	42
LCT-15LN	10.8	12	1960	1060	1/4	670	40	40	25	25	15	42.5
LCT-20LN	14.4	17	2000	1200	1/4	670	50	50	25	25	15	43.5
LCT-25LN	18.5	20	2290	1430	1/2	770	80	80	25	25	15	45
LCT-30LN	21.6	24	2290	1430	3/4	770	80	80	25	25	15	47
LCT-40LN	28.8	32	2360	1620	1	770	80	80	25	25	15	47.5
LCT-50LN	36	40	2595	1810	2	970	80	80	25	25	15	48
LCT-60LN	43.2	48	2595	2000	2	970	80	80	25	25	15	49
LCT-80LN	57.6	64	2690	2180	2	1170	100	100	25	25	25	52
LCT-100LN	72	80	2790	2180	2	1170	100	100	40	25	25	53
LCT-125LN	90	100	2875	2750	3	1470	100	100	40	25	25	54.5
LCT-150LN	108	120	2950	3070	3	1470	125	125	50	25	25	56
LCT-175LN	126	140	3200	3300	5	1750	125	125	50	50	25	56.5
LCT-200LN	144	160	3300	3300	5	1750	125	125	50	50	25	57
LCT-250LN	180	200	3600	3770	5	1750	150	150	50	50	40	57.5
LCT-300LN	216	240	3960	3770	7.5	2400	200	200	50	50	40	58
LCT-350LN	252	280	4150	4790	10	2400	200	200	50	50	40	58
LCT-400LN	288	320	4150	4790	10	2400	200	200	50	50	40	58.5
LCT-500LN	360	400	5200	5480	15	3000	250	250	80	80	40	59
LCT-600LN	432	480	5200	6100	15	3400	250	250	80	80	40	59.5
LCT-700LN	504	560	5770	6600	20	3400	250	250	80	80	40	59.5
LCT-800LN	576	640	5820	6600	20	3400	250	250	80	80	40	61
LCT-1000LN	720	800	5920	7600	30	3600	300	300	80	80	40	62



LCT-LN-10-30

LCT-LN-40-60

LCT-LN-80-100



LCT-LN-125-200

LCT-LN-250-400

LCT-LN-500-600

LCT-LN-700-1000

Foundation dimension of LCT-LN series low noise type

Model	Weight (Kg)		Foundation Dimension (mm)								Pump Head (M)
	Dry	Wet	D1	D2	W	B	C	E	H	H'	
LCT-10LN	72	197	710	-	615	200	-	-	150	-	2
LCT-15LN	78	255	710	-	615	200	-	-	150	-	2
LCT-20LN	85	393	855	-	740	200	-	-	150	-	2
LCT-25LN	123	504	1040	-	901	200	-	-	150	-	2
LCT-30LN	142	527	1040	-	901	200	-	-	150	-	2
LCT-40LN	161	618	1245	-	880	200	-	-	150	-	2.3
LCT-50LN	282	677	1400	-	990	250	-	-	200	-	2.3
LCT-60LN	315	705	1600	-	1131	250	-	-	200	-	2.3
LCT-80LN	401	1177	1620	-	1145	250	300	-	200	300	2.3
LCT-100LN	458	1237	1620	-	1145	250	300	-	200	300	2.3
LCT-125LN	547	1402	2330	-	1165	300	300	-	300	350	2.8
LCT-150LN	618	1742	2610	-	1305	300	300	-	300	350	3
LCT-175LN	661	2641	2815	-	1408	300	400	-	300	340	3
LCT-200LN	749	2712	2815	-	1408	300	400	-	300	340	3.2
LCT-250LN	978	3518	3354	-	2372	300	500	-	300	300	3.2
LCT-300LN	1105	3650	3354	-	2372	300	500	-	300	300	3.6
LCT-350LN	1380	4639	4600	-	3253	300	500	-	300	420	3.6
LCT-400LN	1462	4719	4600	-	3253	300	500	-	300	420	4
LCT-500LN	2302	6942	5500	-	2750	500	700	-	300	300	4
LCT-600LN	2578	7216	5960	-	2980	500	700	-	300	300	4
LCT-700LN	3604	11014	6480	3900	2488	500	1100	300	300	300	5
LCT-800LN	3807	11024	6480	3900	2488	500	1100	300	300	300	5.5
LCT-1000LN	4680	12270	7500	4155	2870	500	1100	300	300	300	6